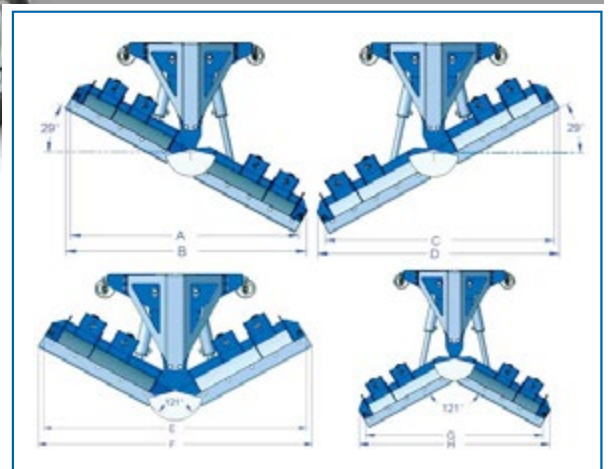
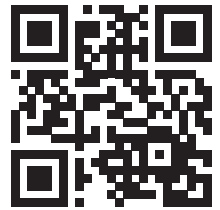


SNOW PLOW

<http://tiny.cc/snowplow1>



TYPE	A	B	C	D	E	F	G	H	Kg.	L/min.	Press. max (bar)
170	1465	1545	1465	1545	1550	1610	1380	1480	350	10/15	200
230	1990	2065	1990	2065	2065	2125	1900	2000	420	10/15	200

FEATURES & BENEFITS

- Rugged professional grade snow plow
- 5 configurations

This versatile, hydraulically operated snow plow offers 5 different blade operating positions:

- 30° right
- 30° left
- Straight
- Scoop
- V-plow

The plow controls features on-the-go fingertip adjustments to plow through the deepest snow.

Equipped with shock absorbing springs that allow the blade to trip forward when an obstacle is encountered, saving wear and tear on the blade and MultiOne.



Model	Blades Width	Blades height	Slewing angle	Weight	Code	Price
150-170	150-170 cm (59-67 in)	29.5 in (75 cm)	±30°	350 kg (772 lbs)	C891300	
200-230	200-230 cm (78.7-90.5 in)	29.5 in (75 cm)	±30°	420 kg (926 lbs)	C891310	

Accessories

	Code	Price
Floating Adapter for Snow Plow	C891320	
Extension Wings (20+20 cm) only for C891310	C891325	

Compatibility	M14	MK	MZ	M28	9520 9525	53 960+	6.3	7.3	8.4	SL835	SL840	9.5 GT960	9.6 GT960	10
Model														
150-170	Very compatible	Compatible	Compatible	Compatible	Compatible	Compatible	Compatible	Compatible	Compatible	Compatible	Compatible	Compatible	Compatible	Compatible
200-230	Very compatible	Compatible	Compatible	Compatible	Compatible	Compatible	Compatible	Compatible	Compatible	Compatible	Compatible	Compatible	Compatible	Compatible

