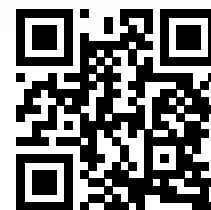


## 8 SERIES

<http://tiny.cc/8seriesEN>


TIPPING LOAD <b>1600</b> kg	ENGINE POWER <b>40</b> hp	SPEED <b>12-23*</b> km/h	FLOW RATE <b>72</b> l/min	LIFT HEIGHT <b>2,98</b> m
-----------------------------------	---------------------------------	--------------------------------	---------------------------------	---------------------------------

(\*) 8.4S

Model	8.4	8.4+	8.4S (2 speed)
Engine	Yanmar 3TNV88		
Power (Iso Gross)	40 HP		
Fuel	Diesel		
Transmission	Hydrostatic		
Drive speed (max.)	12 km/h (7.5 mph)	15 km/h (9.3 mph)	12-23 km/h (7.5-14.3 mph)
Aux. hydraulics oil flow	72 l/min (19 gal/min)		
Max. lifting height	2,98 m (117.3 in)		
Tipping load, max <sup>(1)</sup>	1600 kg (3527 lbs)		
Lifting capacity straight <sup>(2)</sup>	1280 kg (2822 lbs)		
Lifting capacity fully articulated <sup>(3)</sup>	1070 kg (2360 lbs)		
Breakout force / 50 cm	1700 kg (3748 lbs)		
Pushing force (c)	1425 kgf (1425 kp)	2050 kgf (2050 kp)	
Specific ground pressure (w/standard tires)	1051 kg/m <sup>2</sup> (215 lbs/sqft)		1062 kg/m <sup>2</sup> (217 lbs/sqft)
Turning radius: inside/outside	825/2090 mm (32.5/82.3 in)		
Standard tires (Tractor profile)	26X12.00-12		
Weight	1722 kg (3796 lbs)		1740 kg (3836 lbs)
Product Code	<b>C963010</b>	<b>C963000</b>	<b>C963005</b>
Price			

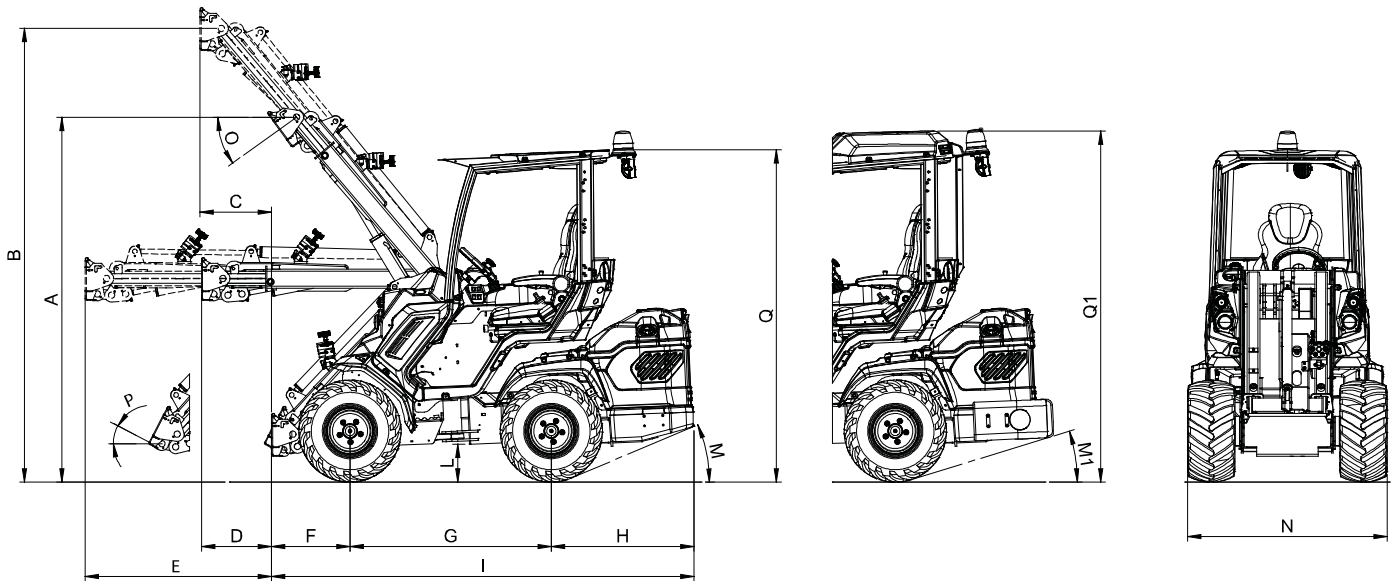
Tires size	Width (N)	Height (Q)
23X10.50-12	1130 mm (44.5 in)	2020 mm (79.5 in)
26X12.00-12	1280 mm (50.4 in)	2040 mm (80.3 in)
27X8.50-15	1070 mm (42.1 in)	2080 mm (81.9 in)
27X10.50-15	1150 mm (45.3 in)	2080 mm (81.9 in)
23X8.50-12	1070 mm (42.2 in)	2020 mm (79.5 in)

(1) Maximum load that can be lifted just off the ground when the machine is straight, with backweights and boom not extended. Weight of attachment included.

(2) Machine straight, with backweights and boom not extended. Weight of attachment is included. (80% of tipping load).

(3) Machine fully articulated, with backweights and boom not extended. Weight of attachment is included.

## 8 SERIES - FEATURES AND OPTIONS



### Dimensions (mm / in)

A - Pivot point height (not extended boom)	2320 / 91.3	L - Ground clearance	240 / 9.5
B - Pivot point height (extended boom)	2980 / 117.3	M - Angle of departure	23°
C - Outreach with lifted boom	455 / 17.9	M1 - Angle of departure with backweights	17°
D - Outreach with orizontal boom (not extended)	445 / 17.5	N - Max width (with standard tires)	1280 / 50.4
E - Outreach with orizontal boom (extended)	1185 / 46.6	O - Dump angle	36°
F - Front length	500 / 19.7	P - Rollback angle	29°
G - Wheelbase	1280 / 50.4	Q - Height (with standard tires)	2040 / 80.3
H - Rear length	910 / 35.8	Q1 - Height with A/C (with standard tires)	2240 / 88.2
I - Machine length	2690 / 105.9		

### Features

- 4WD hydrostatic Direct Drive motors
- DBS (Dynamic Block System)
- Torque divider
- Self-levelling double-H telescopic boom
- 11-functions joystick
- Multi-disk parking brake
- Integrated backweight
- Radial Piston Wheel Motor
- 2 Speed (only 8.4S)
- Hydraulic oil cooler
- Hydraulic multiconnector
- ROPS-FOPS Level I
- LCD graphic display with programmed service (tachometer, hour meter, fuel gauge, maintenance light, light indicator and other 14 indicators)
- 2 front working light
- Ergonomic full adjustable suspension seat with armrests and safety belt.

## 8 SERIES - FEATURES AND OPTIONS

Options	Code	Price
Floating boom valve	C883011	
Luxury cabin (glass)	C883001	
Heating system	C883802	
Plexiglass windscreen (smart cabin)	C883000	
Plexiglass right side (smart cabin)	C883034	
Plexiglass back window (smart cabin)	C883035	
Led Road lights "Hella"	C883009	
3 additional working led light "Hella"	C883018	
Automatic locking plate	C883038	
Attachment coupling plate for rear mounting	C880031	
Multiconnector to quick coupling 3 lines adapter	C880221	
Trailer coupling	C885014	
Additional backweights (184 kg / 406 lbs)	C880054	
Back up alarm	C883021	
"Luxury" seat	C883006	
220 V engine block heater	C885250	
110 V engine block heater	C885255	
Left protection bar for operator	C883020	
Rear 12V electric socket	C883022	
Air conditioning	C883800	
Rear hydraulic outlets - single	C883013	
Rear hydraulic outlets - double	C883014	
Additional front hydraulic outlets	C883024	
Additional front and rear hydraulic outlets - double	C883025	
Wheel spacer 10 mm (0.2 in) (max. 1 pcs for wheel)	C880090	
Wheel spacer 55 mm (2.2 in), set of 4	C885010	
Biodegradable oil	C883007	
Snow chains for wheel	see page 57	
Driver area cover	C880049	
Available tires	see page 50	
Beacon light	C883039	